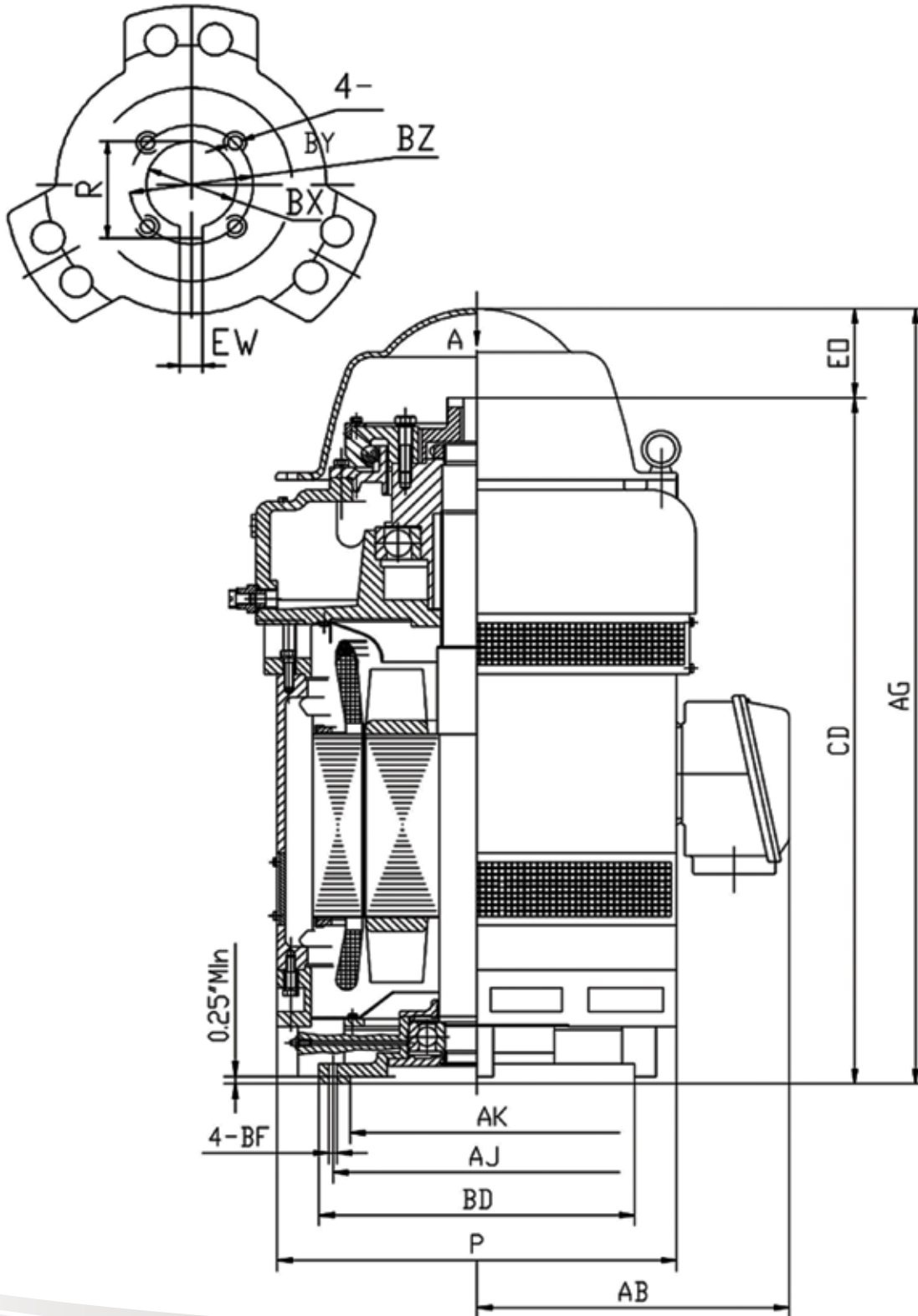




MOUNTING DIMENSIONS



MOUNTING DIMENSIONS





MOUNTING DIMENSIONS

TYPE	MOUNTING DIMENSIONS(INCH)													
	BD	AJ	AK	BF	BX	BZ	EW	R	BY	CD	EO>	P	AB	AG
VHS254TP-4-015E	10	9.125	8.25	0.44	1	1.38	0.2	1.13	10-32	23.38	3.22	15.2	11.1	28.1
VHS254TP-4-015P	10	9.125	8.25	0.44	1	1.38	0.2	1.13	10-32	23.38	3.22	15.2	11.1	28.1
VHS256TP-4-020E	10	9.125	8.25	0.44	1	1.38	0.2	1.13	10-32	23.38	3.22	15.2	11.1	28.1
VHS256TP-4-020P	10	9.125	8.25	0.44	1	1.38	0.2	1.13	10-32	23.38	3.22	15.2	11.1	28.1
VHS284TP-4-025E	10	9.125	8.25	0.44	1	1.38	0.2	1.13	10-32	24.75	3.22	15.2	11.1	28.1
VHS284TP-4-025P	10	9.125	8.25	0.44	1	1.38	0.2	1.13	10-32	24.75	3.22	15.2	11.1	28.1
VHS286TP-4-030E	10	9.125	8.25	0.44	1	1.38	0.2	1.13	10-32	24.75	3.22	15.2	11.1	28.1
VHS286TP-4-030P	10	9.125	8.25	0.44	1	1.38	0.2	1.13	10-32	24.75	3.22	15.2	11.1	28.1
VHS324TP-4-040E	16.5	14.75	13.5	0.69	1.25	1.75	0.2	1.367	1/4-20	28.22	4.22	18.9	12.68	32.7
VHS324TP-4-040P	16.5	14.75	13.5	0.69	1.25	1.75	0.2	1.367	1/4-20	28.22	4.22	18.9	12.68	32.7
VHS326TP-4-050E	16.5	14.75	13.5	0.69	1.25	1.75	0.2	1.367	1/4-20	28.22	4.22	18.9	12.68	32.7
VHS326TP-4-050P	16.5	14.75	13.5	0.69	1.25	1.75	0.2	1.367	1/4-20	28.22	4.22	18.9	12.68	32.7
VHS364TP-4-060E	16.5	14.75	13.5	0.69	1.25	1.75	0.2	1.367	1/4-20	31.16	4.56	20.8	14.37	36.0
VHS364TP-4-060P	16.5	14.75	13.5	0.69	1.25	1.75	0.2	1.367	1/4-20	31.16	4.56	20.8	14.37	36.0
VHS365TP-4-075E	16.5	14.75	13.5	0.69	1.25	1.75	0.2	1.367	1/4-20	31.16	4.56	20.8	14.37	36.0
VHS365TP-4-075P	16.5	14.75	13.5	0.69	1.25	1.75	0.2	1.367	1/4-20	31.16	4.56	20.8	14.37	36.0
VHS404TP-4-100E	16.5	14.75	13.5	0.69	1.5	2.125	0.37	1.668	1/4-20	36.94	4.56	22.9	15.24	42.2
VHS404TP-4-100P	16.5	14.75	13.5	0.69	1.5	2.125	0.37	1.668	1/4-20	36.94	4.56	22.9	15.24	42.2
VHS405TP-4-125E	16.5	14.75	13.5	0.69	1.5	2.125	0.37	1.668	1/4-20	36.94	4.56	22.9	15.24	42.2
VHS405TP-4-125P	16.5	14.75	13.5	0.69	1.5	2.125	0.37	1.668	1/4-20	36.94	4.56	22.9	15.24	42.2
VHS444TP-4-150E	16.5	14.75	13.5	0.69	1.69	2.5	0.375	1.854	1/4-20	42.66	5	25.5	18.13	47.7
VHS444TP-4-150P	16.5	14.75	13.5	0.69	1.69	2.5	0.375	1.854	1/4-20	42.66	5	25.5	18.13	47.7
VHS445TP-4-200E	16.5	14.75	13.5	0.69	1.69	2.5	0.375	1.854	1/4-20	42.66	5	25.5	18.13	47.7
VHS445TP-4-200P	16.5	14.75	13.5	0.69	1.69	2.5	0.375	1.854	1/4-20	42.66	5	25.5	18.13	47.7
VHS445TP-4-250E	16.5	14.75	13.5	0.69	1.69	2.5	0.375	1.854	1/4-20	42.66	5	25.5	18.13	47.7
VHS445TP-4-250P	16.5	14.75	13.5	0.69	1.69	2.5	0.375	1.854	1/4-20	42.66	5	25.5	18.13	47.7
VHS5804P-4-300E	20.0	14.75	13.5	0.69	1.938	2.5	0.5	2.16	1/4-20	49.78	6	33.8	27.5	60.2
VHS5804P-4-300P	20.0	14.75	13.5	0.69	1.938	2.5	0.5	2.16	1/4-20	49.78	6	33.8	27.5	60.2
VHS5804P-4-350E	20.0	14.75	13.5	0.69	1.938	2.5	0.5	2.16	1/4-20	49.78	6	33.8	27.5	60.2
VHS5804P-4-350P	20.0	14.75	13.5	0.69	1.938	2.5	0.5	2.16	1/4-20	49.78	6	33.8	27.5	60.2
VHS5806P-4-400E	24.5	14.75	13.5	0.69	1.938	2.5	0.5	2.16	1/4-20	58.25	6	33.8	27.5	60.2



MOUNTING DIMENSIONS

CONTINUED

TYPE	MOUNTING DIMENSIONS(INCH)													
	BD	AJ	AK	BF	BX	BZ	EW	R	BY	CD	EO>	P	AB	AG
VHS5806P-4-400P	24.5	14.75	13.5	0.69	1.938	2.5	0.5	2.16	1/4-20	58.25	6	33.8	27.5	60.2
VHS5806P-4-450E	24.5	14.75	13.5	0.69	1.938	2.5	0.5	2.16	1/4-20	58.25	6	33.8	27.5	60.2
VHS5806P-4-450P	24.5	14.75	13.5	0.69	1.938	2.5	0.5	2.16	1/4-20	58.25	6	33.8	27.5	60.2
VHS5806P-4-500E	24.5	14.75	13.5	0.69	1.938	2.5	0.5	2.16	1/4-20	58.25	6	33.8	27.5	60.2
VHS5806P-4-500P	24.5	14.75	13.5	0.69	1.938	2.5	0.5	2.16	1/4-20	58.25	6	33.8	27.5	60.2



BMR USA LLC SALES OFFICES:

CORPORATE OFFICE:
Kansas City, KS 66109

SALES OFFICE:
6991 E. Camelback Rd.
Scottsdale, AZ 85251
PH-480-386-7032

ENGINEERING SUPPORT:
San Diego, CA

STOCKING LOCATIONS:
Phoenix, AZ
Hayward, CA
Fresno, CA
Bakersfield, CA
Ada, OK
Visalia, CA

